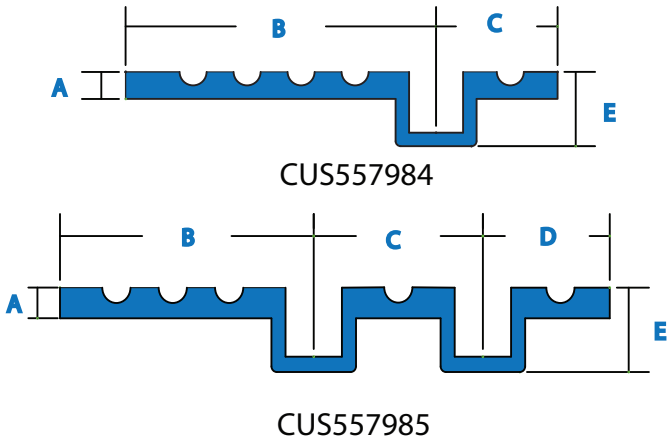




EXTRUDED ALUMINUM ELEVATOR SADDLES

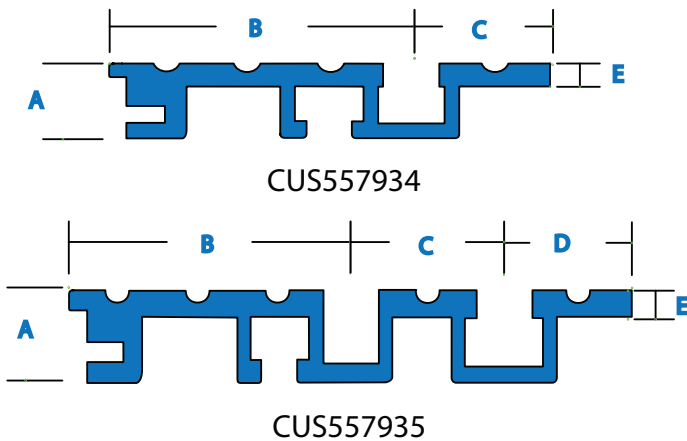
6063-T6 Extruded Aluminum Elevator Saddle



Used architecturally 24-foot lengths

	4"	4-7/8"	5-1/2"
WEIGHT	SADDLE	SADDLE	SADDLE
LBS PER FOOT	0.85	1.25	1.44
LBS PER LENGTH	17.00	25.00	28.80
DIMENSION (INCHES)	4"	4-7/8"	5-1/2"
A	0.250	0.250	0.250
B	2.875	2.250	2.875
C	1.125	1.500	1.500
D		1.125	1.125
E	0.688	0.688	0.688

6063-T6 Extruded Aluminum Elevator Saddle



Used architecturally 24-foot lengths

	4"	5-1/2"
WEIGHT	SADDLE	SADDLE
LBS PER FOOT	1.54	2.10
LBS PER LENGTH	30.80	42.00
DIMENSION (INCHES)	4"	5-1/2"
A	0.813	0.813
B	2.750	2.750
C	1.250	1.500
D		1.250
E	0.250	0.250

Also in stock: Diamond Tread Plate in 3003 and 6061, and Stainless Steel Sheet in 304 2B, #4 & #8 and 316.

NEW YORK
PHILADELPHIA
NEW ENGLAND
FLORIDA
LONG ISLAND
ALBANY

104-20 Merrick Blvd
 2811 Charter Rd
 130 Scott Rd, Unit A
 13055 49th St
 40 Commerce Dr
 59 Oliver St

Jamaica, NY 11433
 Philadelphia, PA 19154
 Waterbury, CT 06705
 Clearwater, FL 33762
 Hauppauge, NY 11788
 Cohoes, NY 12047

T 718.291.8060 F 718.291.8388
 T 215.695.2705 F 215.695.2706
 T 203.575.0487 F 203.575.0731
 T 727.572.9560 F 727.572.9565
 T 718.291.8060 F 631.273.4851
 T 866.446.4404 F 203.575.0731

salesny@hadco-metal.com
salespa@hadco-metal.com
salesct@hadco-metal.com
salesfl@hadco-metal.com
salesli@hadco-metal.com
salesct@hadco-metal.com