

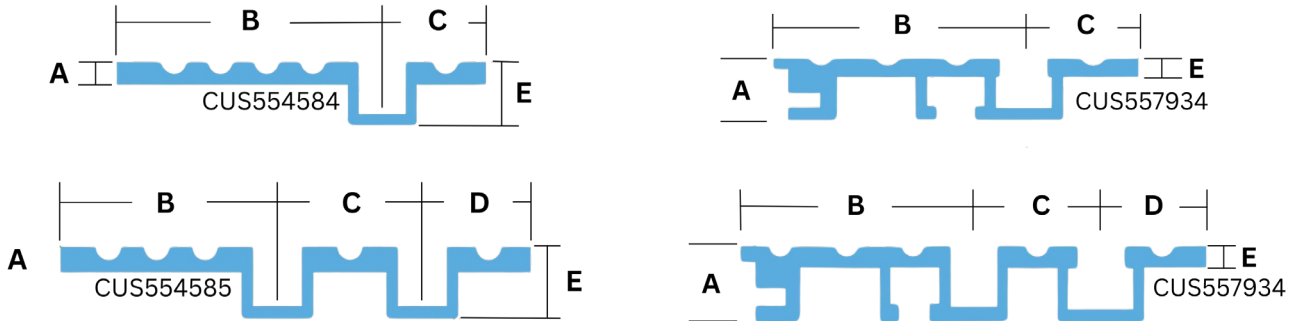


ELEVATORS LINE CARD

EXTRUDED ALUMINUM SADDLES

6063-T6 Cab	CUS554584	ASTM B-221
6063-T6 Cab	CUS554585	ASTM B-221
6063-T6 Landing	CUS557934	ASTM B-221
6063-T6 Landing	CUS557935	ASTM B-221

6063-T6 EXTRUDED ALUMINUM ELEVATOR SADDLE



STAINLESS STEEL PATTERN SHEET

304/304L	5-SM 16GA	ASTM A240
304/304L	5-SM 20GA	ASTM A240
304/304L	6-OM 16GA	ASTM A240
304/304L	6-OM 20GA	ASTM A240

POLISHED STAINLESS STEEL

304/304L Sheet	#4 PVC	ASTM A240
304/304L Sheet	#8 PVC	ASTM A240
304/304L True Flat Bar	#4 PVC	ASTM A484
304/304L Sheared & Edged Flat Bar	#4 PVC	ASTM A240

STAINLESS STEEL TUBE

304/304L	304/304L Round Tube	ASTM A-554
304/304L	304/304L Welded Round Tube	ASTM A-554
304/304L	304/304L Rectangular Tube	ASTM A-554
304/304L	304/304L Square Tube	ASTM A-554
316/316L	316/316L Round Tube	ASTM A-554
316/316L	316/316L Welded Round Tube	ASTM A-554
316/316L	316/316L Rectangular Tube	ASTM A-554
316/316L	316/316L Square Tube	ASTM A-554

DIAMOND TREAD PLATE

3003-H22 Aluminum		
6061-T6 Aluminum		
304/304L Stainless Steel		ASTM A793 PATTERN B
316/316L Stainless Steel		ASTM A793 PATTERN B

